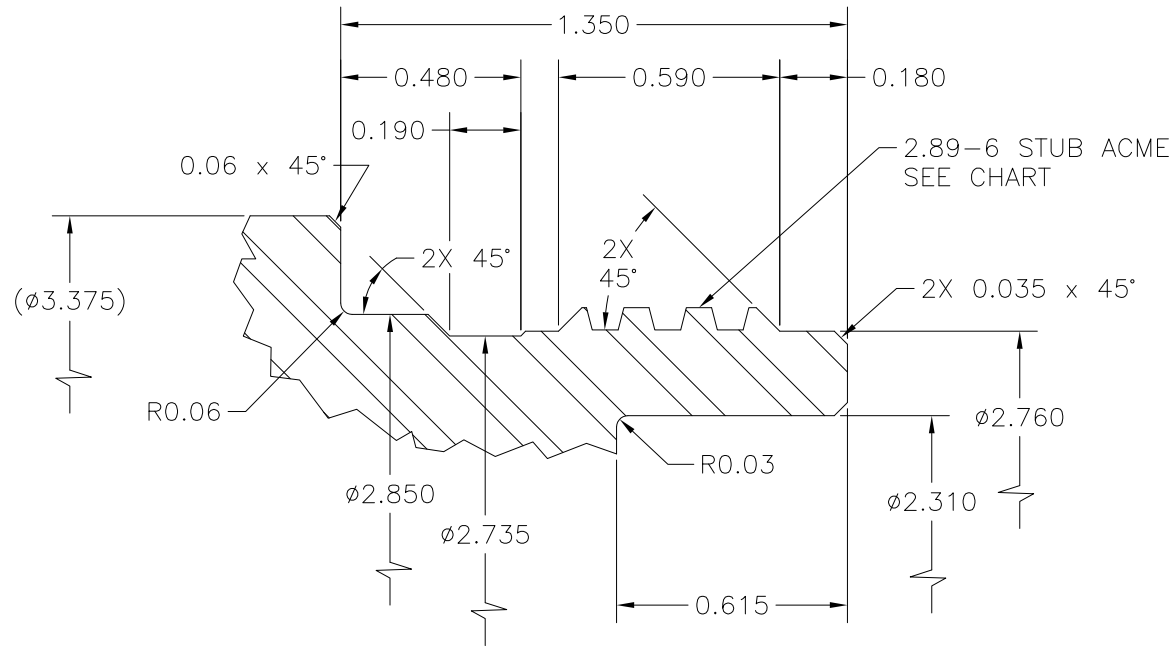
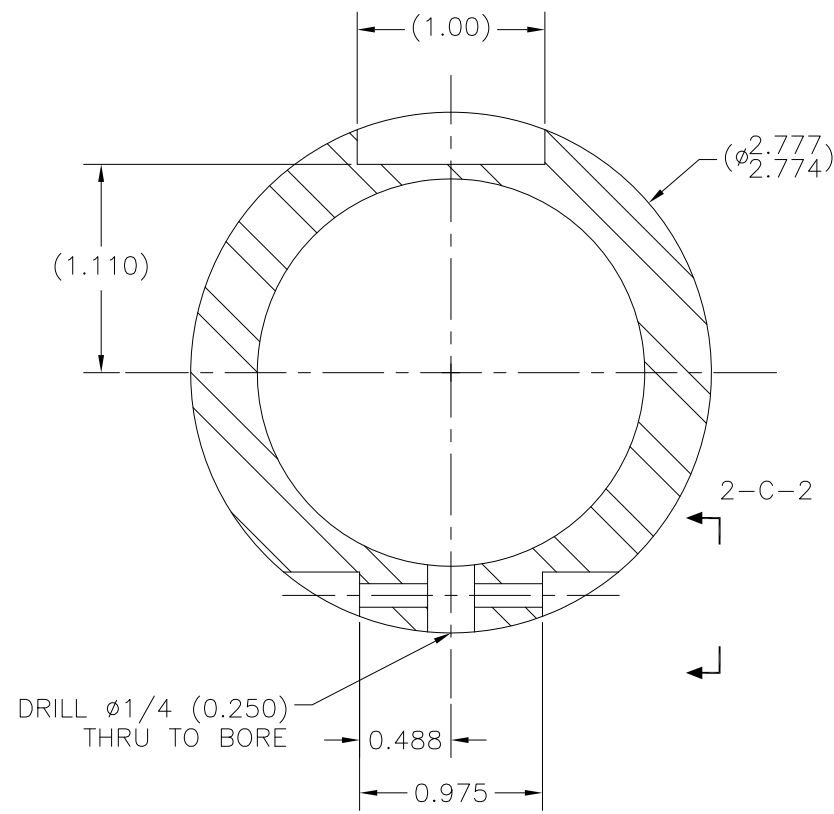


REVISIONS				
NO	DESCRIPTION	DATE	BY	APR/DATE
0	ISSUED FOR MANUFACTURE	2/21/11		

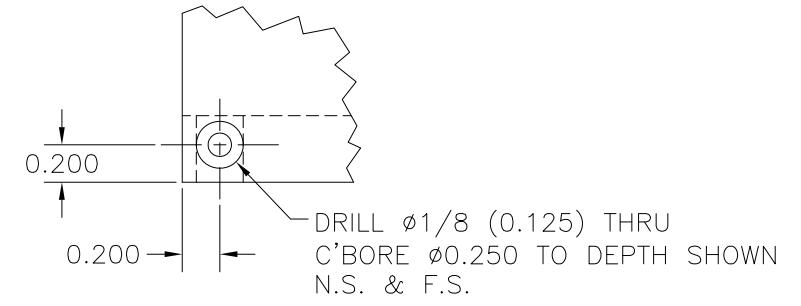


**DETAIL 2-C-7**  
REF. 1-B-1

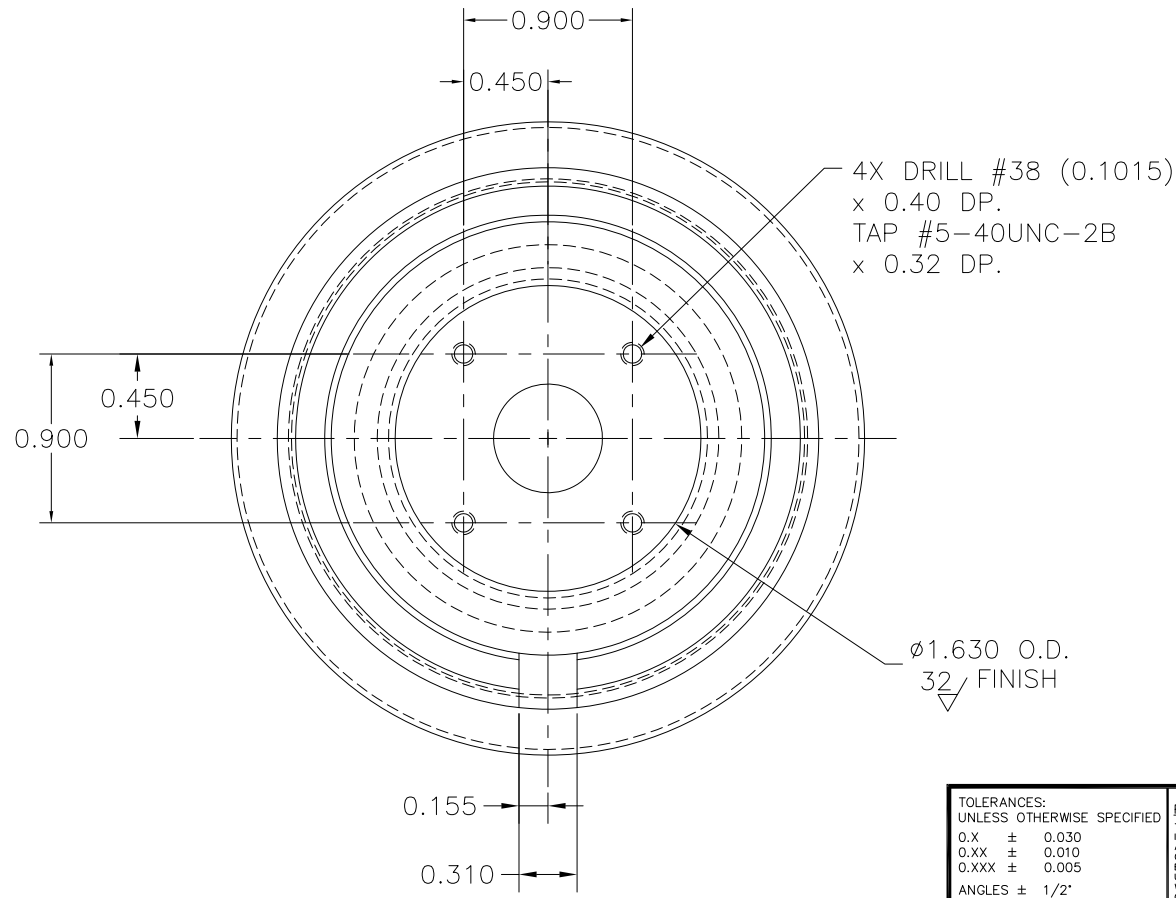
2.89-6 STUB ACME EXTERNAL	
MAJOR DIAMETER, MAX.	- 2.890
MAJOR DIAMETER, MIN.	- 2.882
PITCH DIAMETER, MAX.	- 2.826
PITCH DIAMETER, MIN.	- 2.816
MINOR DIAMETER, MAX.	- 2.770
MINOR DIAMETER, MIN.	- 2.760
BASIC THREAD HEIGHT	- 0.050
BASIC WIDTH OF CREST	- 0.067
THREAD PITCH	- 0.167



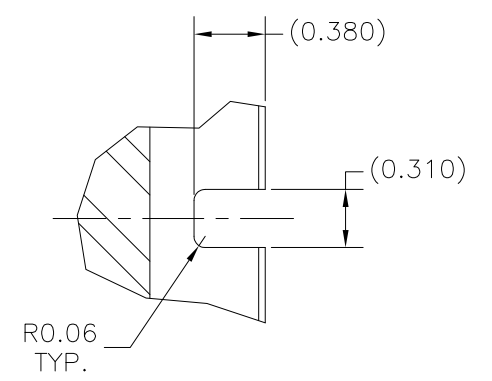
**SECTION 2-C-4**  
REF. 1-A-6



**VIEW 2-C-2**  
REF. 2-C-3



**VIEW 2-B-4**  
REF. 1-A-1



**VIEW 2-B-4**  
REF. 1-B-1

TOLERANCES: UNLESS OTHERWISE SPECIFIED 0.X ± 0.030 0.XX ± 0.010 0.XXX ± 0.005 ANGLES ± 1/2° BREAK EDGES 0.015 x 45° MIN. FINISH 125 [Symbol] 0.010 [A]	PROPRIETARY NOTICE THIS DRAWING AND THE INFORMATION IT CONTAINS ARE CONSIDERED CONFIDENTIAL, AND MAY NOT BE REPRODUCED, COPIED OR USED, IN PART OR IN WHOLE, WITHOUT PRIOR WRITTEN CONSENT.	<b>Integrated Ocean Drilling Program</b> TEXAS A&M UNIVERSITY 1000 DISCOVERY DRIVE COLLEGE STATION, TX 77845
ALL DIMS ARE IN INCHES, UNLESS NOTED OTHERWISE.	SHEET 2 OF 2 SCALE FULL BY DATE MM/2/21/11	TITLE X/O & PRESSURE CASE, ERS TO 31 PIN CONNECTOR SYSTEM ERS v.2 ASSEMBLY 3 ERS APPROVED DH CHECKED DH SIZE D P/N ERS-026 REV. 0